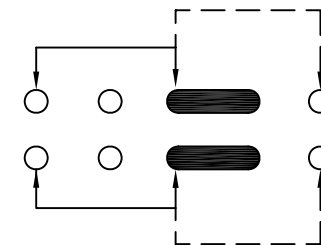
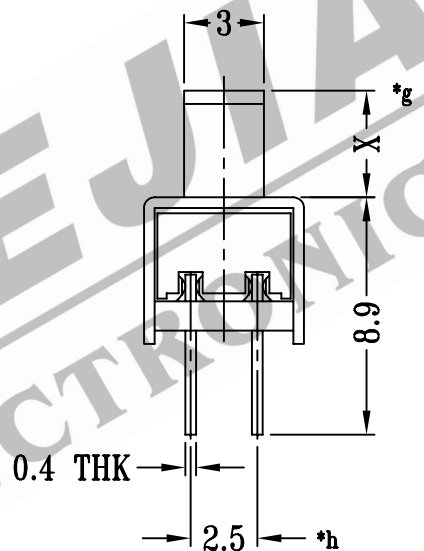
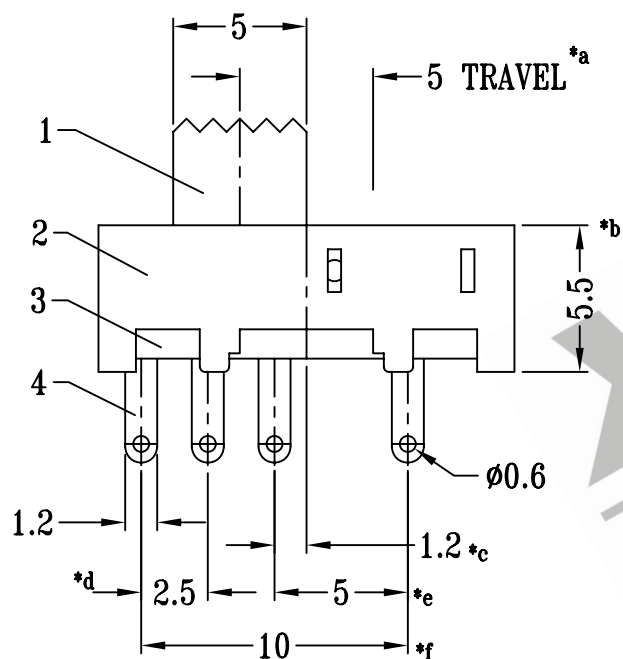
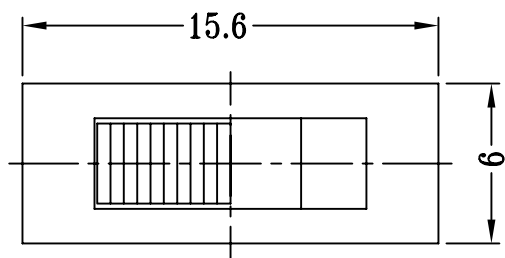
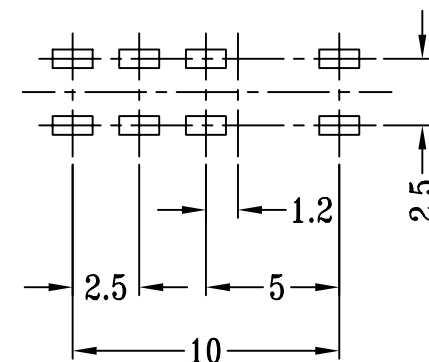


CAD FILE:



SCHEMATIC (NOT-SPECIFIED)



P.C.B LAYOUT

注:带"\*"表示关键尺寸(8个)

| NO. | PARTS        | MATERIALS      | Q'TY | FINISH                   | TOLERANCE UNLESS SPECIFIED              | SHENZHEN XIEJIA ELECTRONICS CO.,LTD. |       |                          |            |                                      |
|-----|--------------|----------------|------|--------------------------|---|--------------------------------------|-------|--------------------------|------------|--------------------------------------|
| 8   |              |                |      |                          |   | TITLE : VERTICAL SLIDE SWITCH        |       |                          |            |                                      |
| 7   | CONTACT CLIP | PBS            | 2    | Ag CLAD                  | UNLESS SPECIFIED                        |                                      |       |                          |            | UNIT : mm DRWG NO.: XJ-DR-SS22J09-00 |
| 6   | SPRING       | STEEL WIRE     | 1    | TEMPER                   | WITHIN : 1.5±0.1mm                      | ISSUE                                | DATE  | DESCRIPTIONS OF REVISION |            |                                      |
| 5   | STEEL BALL   | STEEL          | 2    | NATURAL                  | OVER : 1.5±0.2mm                        | SCALE: 10:3                          |       | DWN.                     | ZHOUYU     | 2003-12-20                           |
| 4   | TERMINAL     | BRASS STRIP    | 8    | Ag PLATED OVER Ni PLATED | MODEL: SS-22J09                         |                                      | CHK'D | FANGYING                 | 2003-12-20 |                                      |
| 3   | BASE         | PHENOLIC RESIN | 1    | NATURAL                  | ALL MATERIALS MUST BE COMPLIANT TO ROHS |                                      | APPD. | KANGXINAN                | 2003-12-20 |                                      |
| 2   | FRAME        | STEEL STRIP    | 1    | Ni PLATED                |   |                                      |       |                          |            |                                      |
| 1   | KNOB         | POM            | 1    | BLACK                    |   |                                      |       |                          |            |                                      |